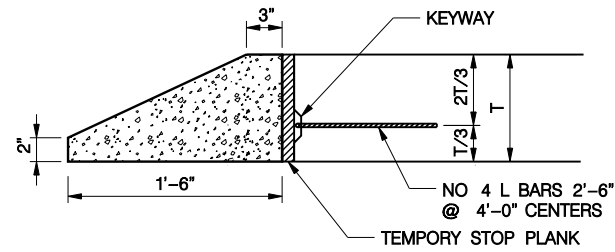
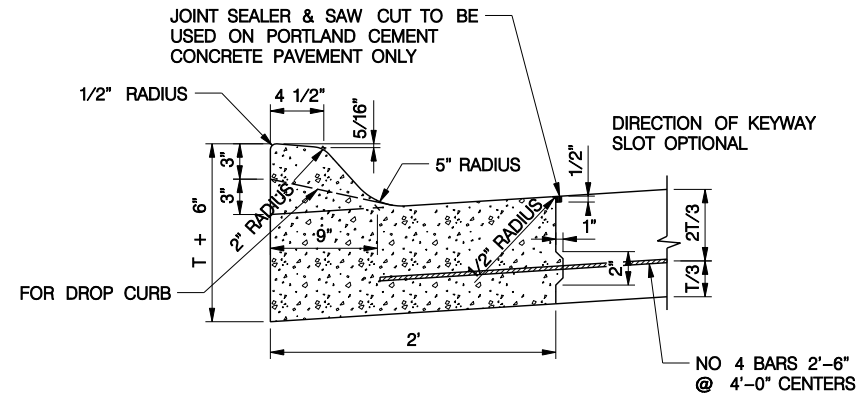


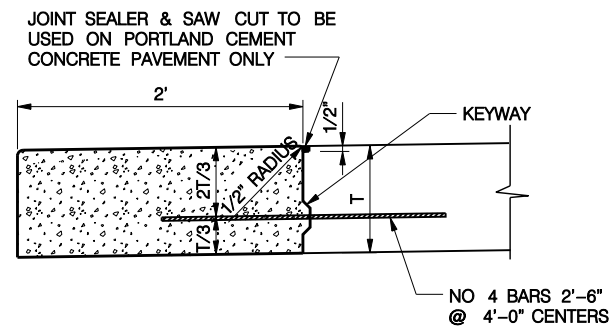
PROJ: 70028 OLD AS OF 070610.dgn
 PEN: ..\\ables\\Pen\\SW_PENTABLE.TBL
 USER: elocaw
 DATE: 9/27/2011
 DGN: ..\\STANDARD\\Current\\Lsp651.dgn



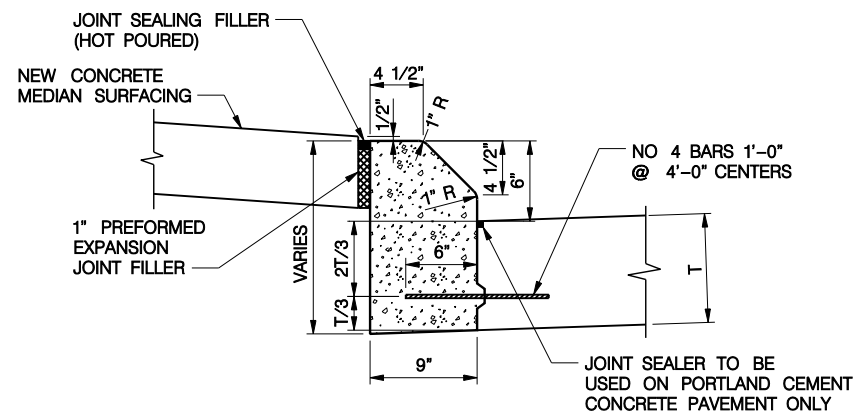
CONCRETE HEADER



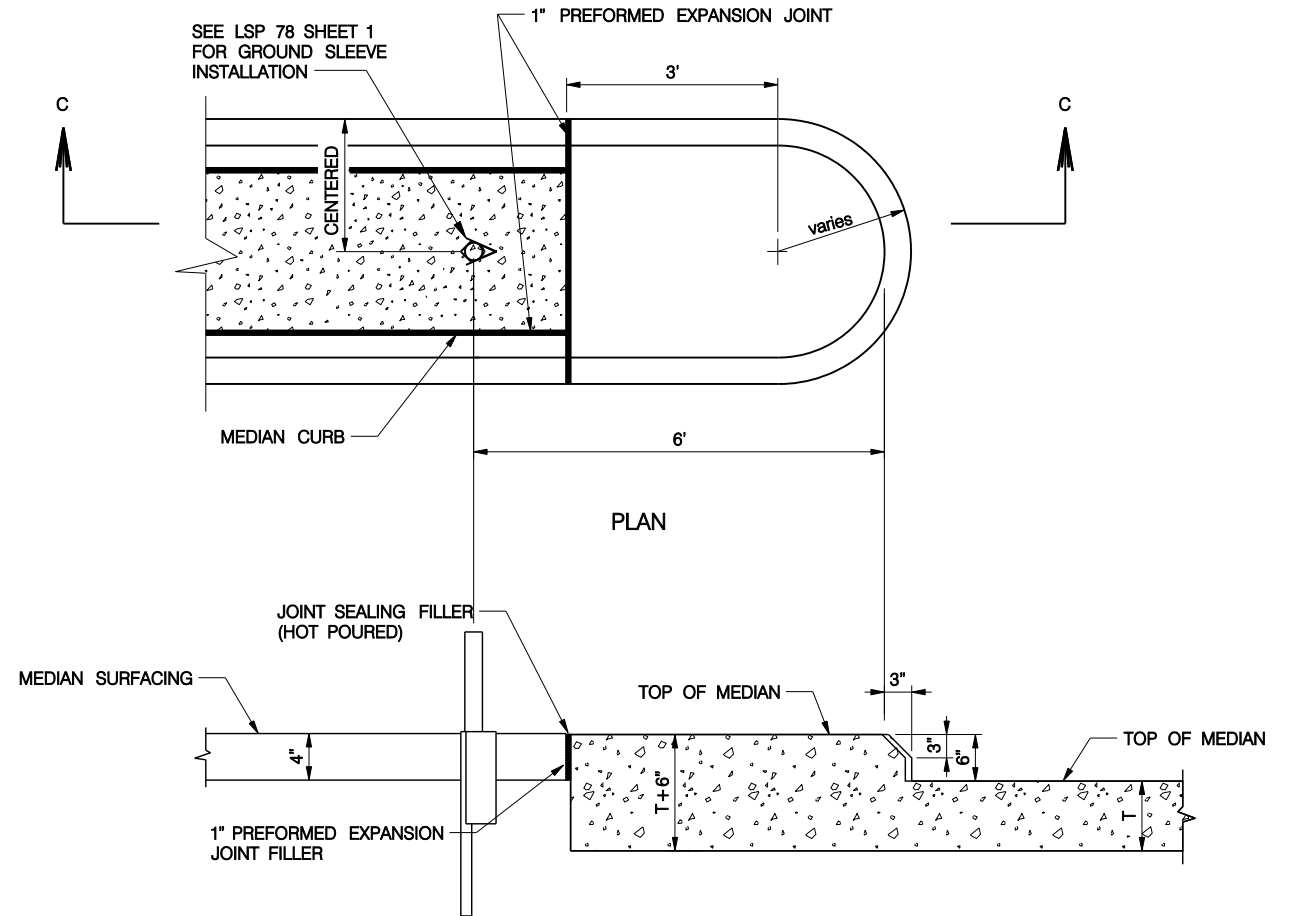
COMBINED CURB AND GUTTER



24" CONCRETE GUTTER PAN



CONCRETE MEDIAN CURB



**SECTION C - C
 TYPICAL DETAILS OF
 CONCRETE MEDIAN NOSE**

NOTES:

- ALL CONCRETE SHALL BE L-3500 OR LC-3500
- 1" PREFORMED EXPANSION JOINT FILLER SHALL BE PLACED THROUGH ALL CURBS OPPOSITE PAVEMENT EXPANSION JOINTS OR AS DIRECTED BY ENGINEER
- T = THICKNESS OF PAVEMENT

