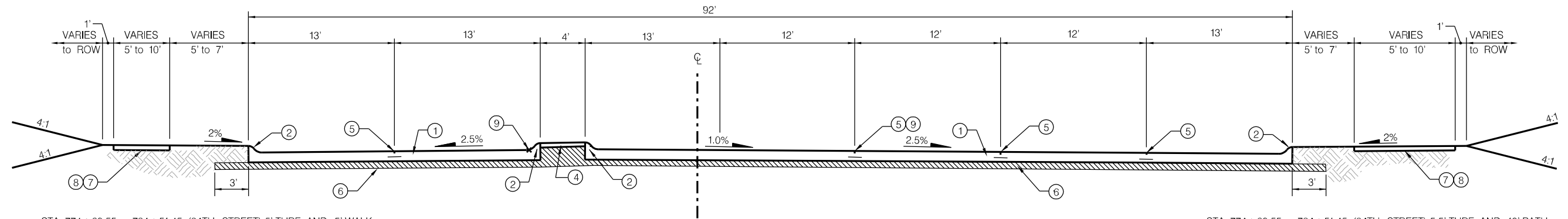


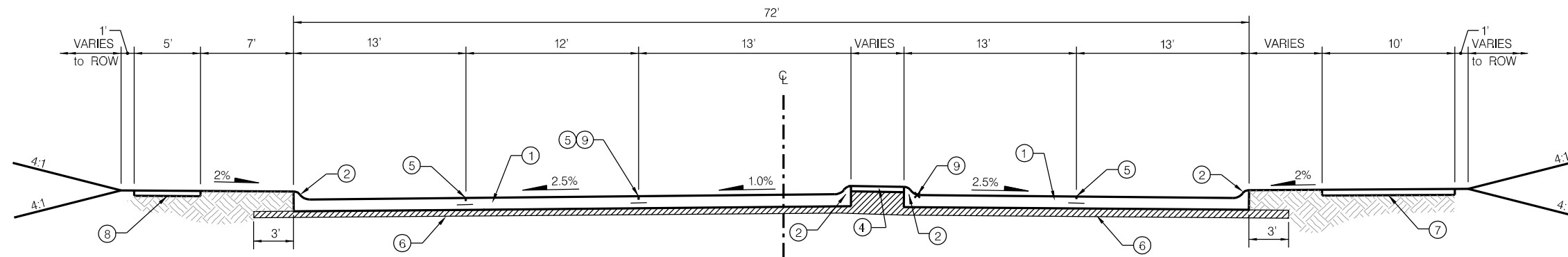
USER: sjemso
 DATE: Wednesday, March 17, 2004
 DGN: ...DESIGN\SHEETS\123456789.dgn



STA. 774+60.55 - 784+51.45 (84TH STREET) 5' TURF AND 5' WALK
 STA. 1686+40.00 - 1691+74.75 (PIONEERS WEST) 5' TURF AND 10' PATH
 STA. 1694+13.20 - 1696+02.50 (PIONEERS WEST) 7' TURF AND 5' WALK

STA. 774+60.55 - 784+51.45 (84TH STREET) 5.5' TURF AND 10' PATH
 STA. 1686+40.00 - 1691+74.75 (PIONEERS WEST) 5' TURF AND 5' PATH
 STA. 1694+13.20 - 1696+02.50 (PIONEERS WEST) 7' TURF AND 5' WALK

FOUR LANE DIVIDED ROADWAY AT MAJOR INTERSECTION
 DUAL LEFT-TURN LANES & RIGHT-TURN LANE
 (84TH ST. 774+60.55 TO 784+51.45)
 (PIONEERS 1689+80.00 TO 1696+01.00)



FOUR LANE DIVIDED ROADWAY
 (84TH STREET 769+93.84 TO 773+36.07)

LEGEND

- | | |
|--------------------------------------|--|
| ① 9" CONCRETE PAVEMENT | ⑧ 5" BIKE TRAIL |
| ② INTEGRAL CURB | ⑨ PROFILE GRADE POINT |
| ③ GRASSED MEDIAN | ⑩ 7" PORTLAND CEMENT CONCRETE PAVEMENT |
| ④ 4" CONCRETE MEDIAN SURFACING | ⑪ 7" ASPHALTIC CONCRETE SURFACE COURSE |
| ⑤ LONGITUDINAL JOINT WITH TIE BAR | ⑫ 6" TYPE A ASPHALT SHOULDER |
| ⑥ SUBGRADE PREPARATION | ⑬ EARTH SHOULDER CONSTRUCTION |
| ⑦ 5" SIDEWALK (WHERE SHOWN ON PLANS) | |

